



ADJUSTABLE HOUSE STUMPS

Stronger. Easier. Faster. **LevelMaster**.

PRODUCT CATALOGUE



ADJUSTABLE
HOUSE STUMPS



ADJUSTABLE
BRACING

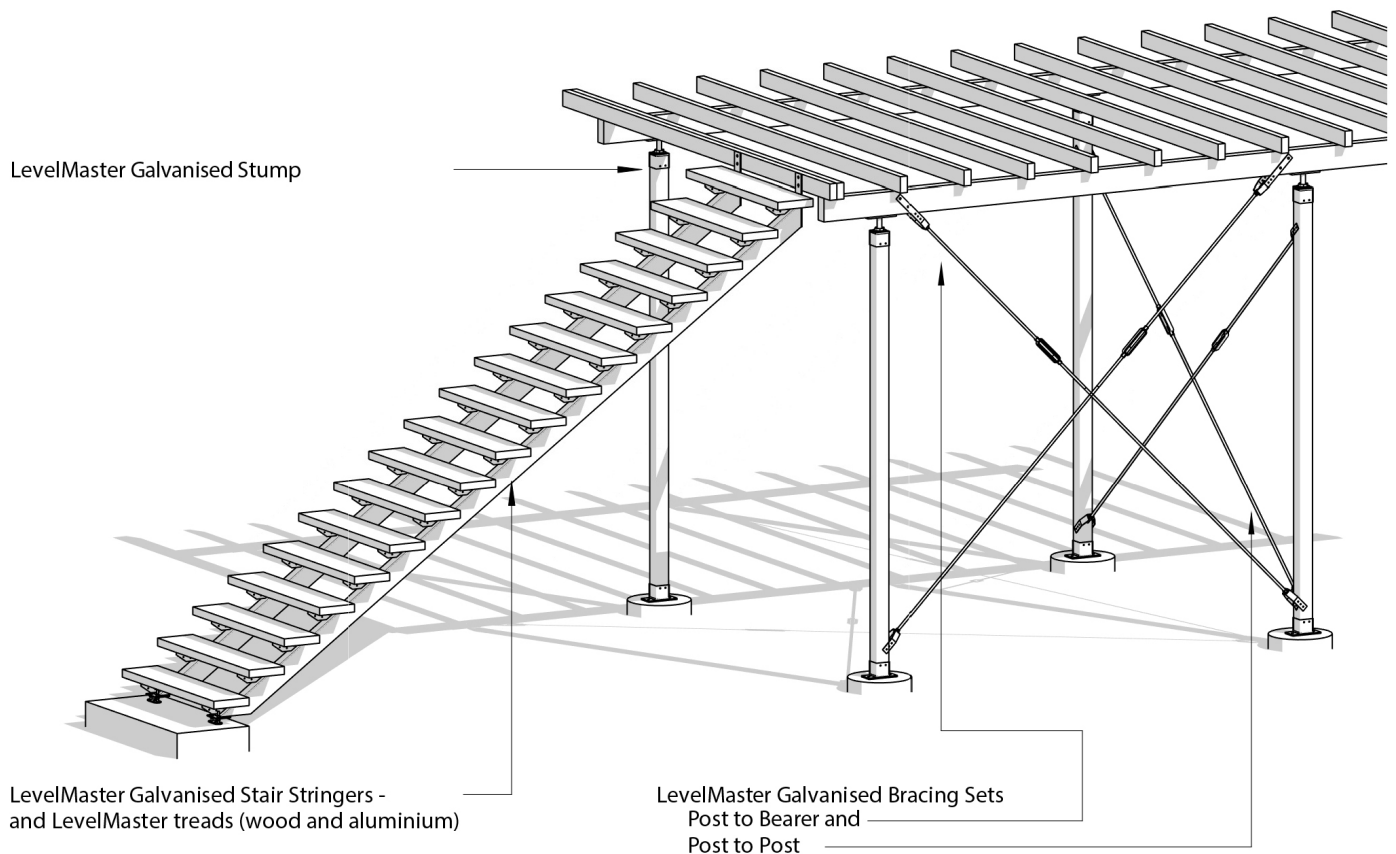


ADJUSTABLE
STAIR STRINGERS

1300 538 356

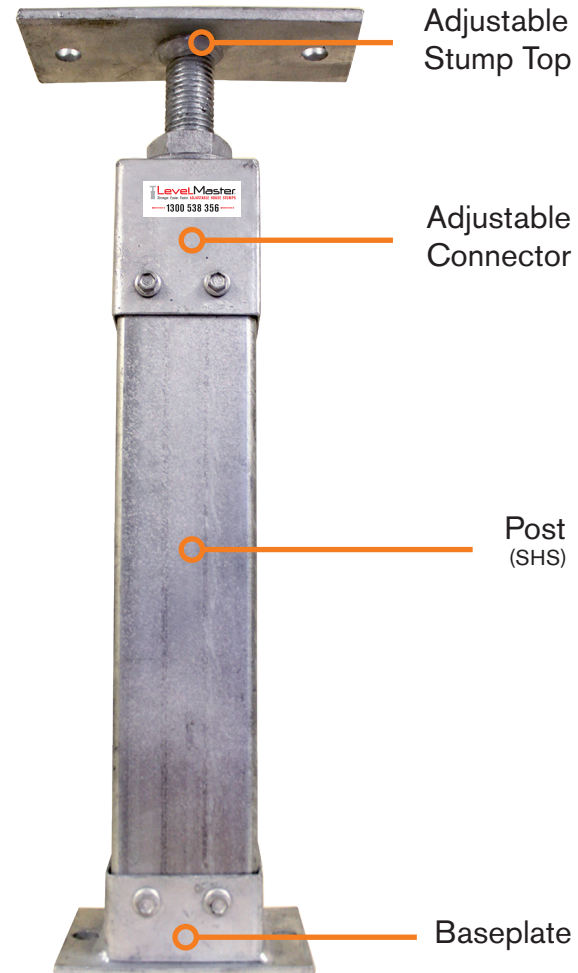
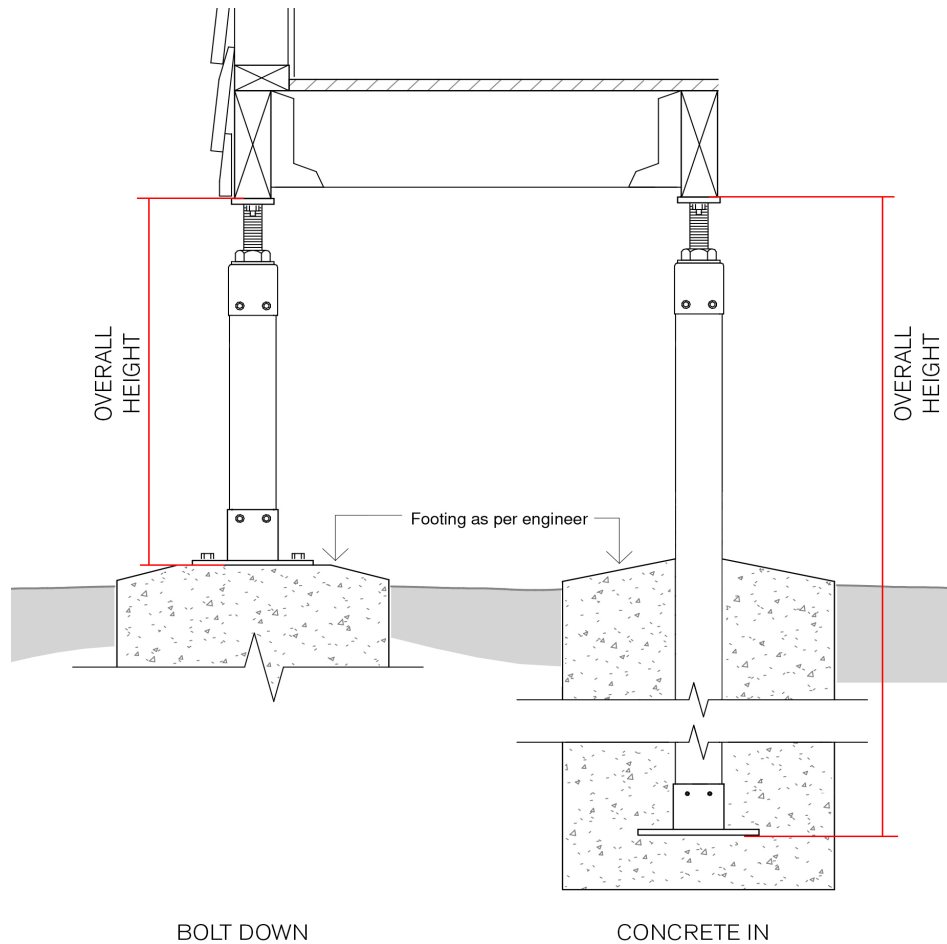
Stronger. Easier. Faster.

LevelMaster



1300 538 356

Stump Components



Post Material Selection Chart

Width	Stocked Wall Thicknesses		
75mm x 75mm	3mm	4mm	5mm
89mm x 89mm	3.5mm	5mm	
100mm x 100mm	3mm	4mm	5mm

Other Wall Thicknesses Available To Order
We cut to any length and assemble screw fixed stumps for free!



Also available in hot dip gal (lead times apply)- 75x4mm hot dip gal NOW IN STOCK

1300 538 356

Top Connectors

Connects the post to a LevelMaster top allowing up 120mm of adjustment.

Screw On Connectors

Effortless installation, with a slip over sleeve that is secured with 14G TEK screws.

Fits all SHS wall thicknesses.

- To suit a 75mm Post // Code: **SO-75**
- To suit a 90mm Post // Code: **SO-90**
- To suit a 100mm Post // Code: **SO-100**



Weld On Connectors

Welded onto SHS stump for maximum strength.

- To suit a 75mm Post // Code: **WO-75**
- To suit a 90mm Post // Code: **WO-90**
- To suit a 100mm Post // Code: **WO-100**
- To suit a 150mm Post // Code: **WO-150**



Screw Pile Connectors

Note: LevelMaster does **not** supply screw piles

- To suit a 76mm Pile // Code: **SP-76**
- To suit a 90mm Pile // Code: **SP-90**
- To suit a 114mm Pile // Code: **SP-114**



Round Ant Cap

Suits 300mm Round Post
Code: **AC-300-RD**



Square Ant Cap

Suits 200mm x 200mm Square Post
Code: **AC-200-SQ**



Stump Antcap

Pre-fitted accessory for
SO-75 / SO-90 / SP-76 / SP-90
Code: **AC-150-AJT**

1300 538 356

Screw On Bases



Base to cast into concrete

Suit a 75mm Post // 90mm x 120mm Code: **BCI-75-120**
Suit a 90mm Post // 100mm x 150mm Code: **BCI-90-150**



2 Hole Base Bolt Down

Suit a 75mm Post // 80mm x 200mm Code: **BBD-75-200**
Suit a 90mm Post // 100mm x 200mm Code: **BBD-90-200**
Suit a 100mm Post // 110mm x 200mm Code: **BBD-100-200**
8mm Plate & 14mm Bolt Holes



4 Hole Base Bolt Down

Suit a 75mm Post // 180mm Square Code: **BBD-75-4H**
Suit a 90mm Post // 180mm Square Code: **BBD-90-4H**
Suit a 100mm Post // 180mm Square Code: **BBD-100-4H**
10mm Plate & 14mm Bolt Holes



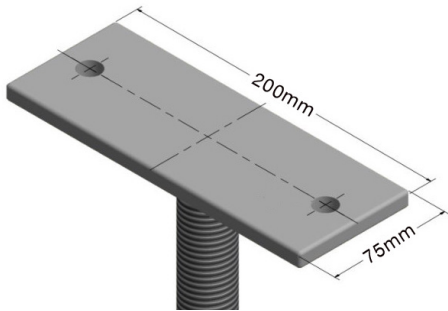
Don't forget your fixing hardware
See Page 10

1300 538 356

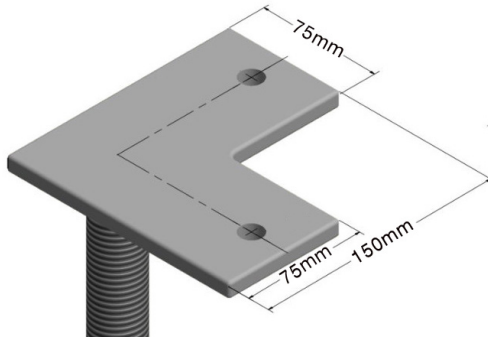
Stump Tops

Galvanised LevelMaster Tops

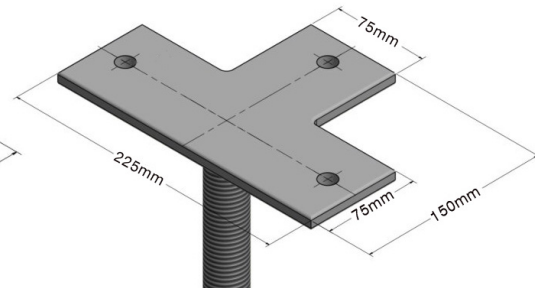
A custom M30 thread specificity designed for all LevelMaster Connectors



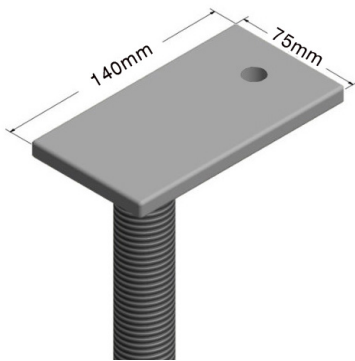
Straight
10mm Thick
14mm Bolt Holes
Code: **S**



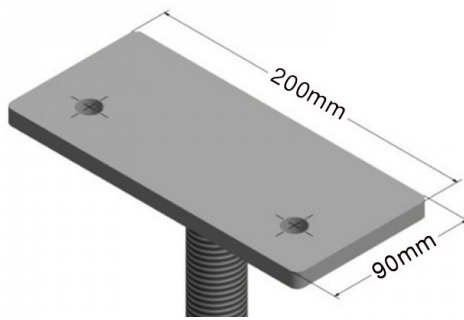
Corner
10mm Thick
14mm Bolt Holes
Code: **C**



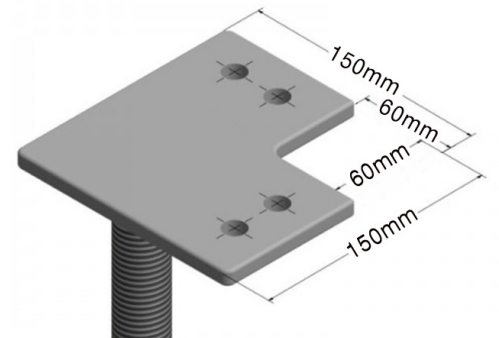
Tee
10mm Thick
14mm Bolt Holes
Code: **T**



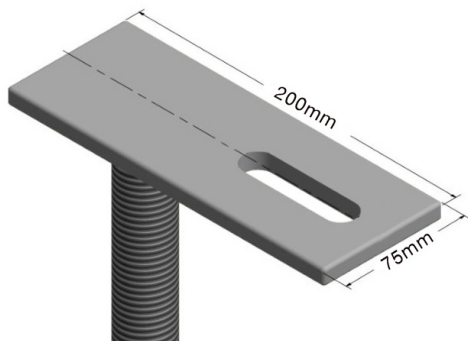
End Of Bearer
10mm Thick
14mm Bolt Hole
Code: **E**



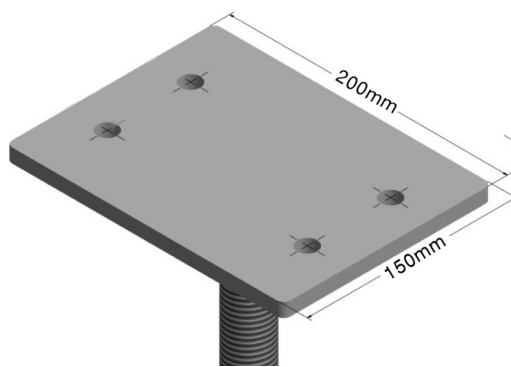
Straight Offset Hole
10mm Thick
14mm Bolt Holes
Code: **SOH**



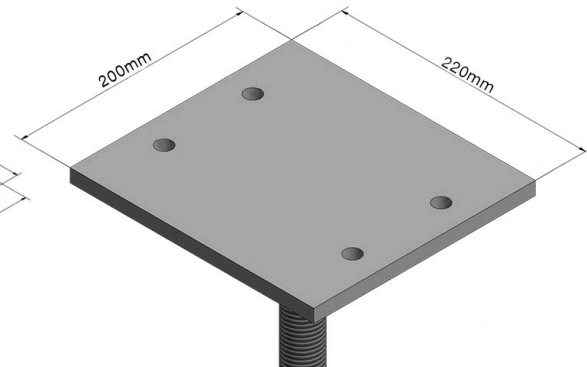
Corner 4 Holes
10mm Thick
14mm Bolt Holes
Code: **C4**



End Slotted
12mm Thick
18 x 70mm Slot
Use with D-clamp kit
Code: **ES**



Straight 4 Hole
12mm Thick
14mm Bolt Holes
Code: **S4**



Straight Large
12mm Thick
14mm Bolt Holes
Code: **SL**

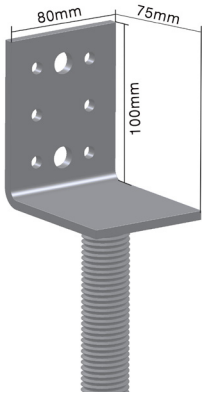
1300 538 356

Australian Innovation Patent # 2019901113

Stump Tops

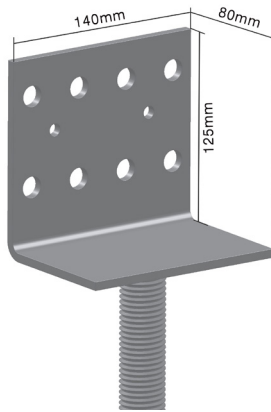
Galvanised LevelMaster Tops

A custom M30 thread specificity designed for all LevelMaster Connectors



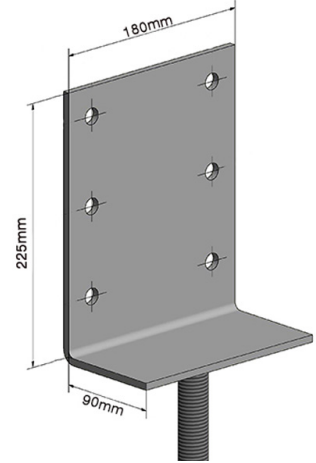
Vertical Small

6mm Thick
8mm & 14mm Bolt Holes
Code: **VS**



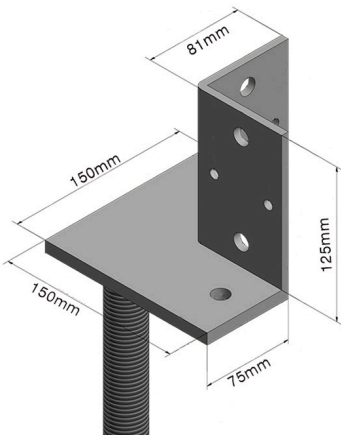
Vertical Large

6mm Thick
8mm & 14mm Bolt Holes
Code: **VL**



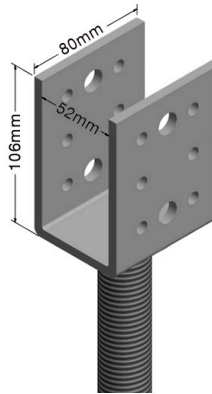
Vertical Extra Large

6mm Thick
14mm Bolt Holes
Code: **VLXL**



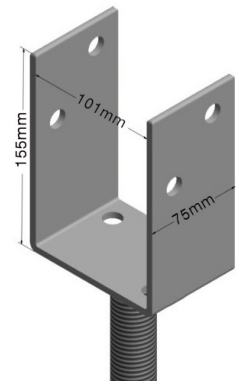
Vertical Large Corner

10mm Thick
8mm & 14mm Bolt Holes
Code: **VLC**



Stirrup 50mm

8mm & 14mm Bolt Holes
Code: **STI-50**

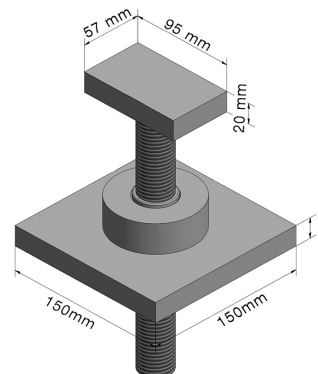
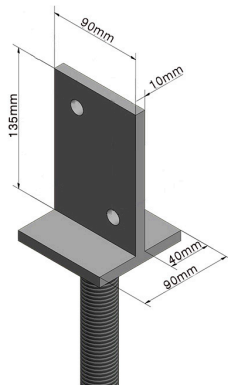


Stirrup

14mm Bolt Holes
Code: **STI**

Vertical Plate 90

10mm Thick
14mm Bolt Holes
Code: **VP90**



Container Lock

Code: **CL**
Thread: 280mm
More Info Page 10

1300 538 356

Stair Stringers

Hot Dipped Galvanised

Sold in **pairs**, half pair options available, with either an adjustable bolt down base or an adjustable concrete in base.

See website for calculator

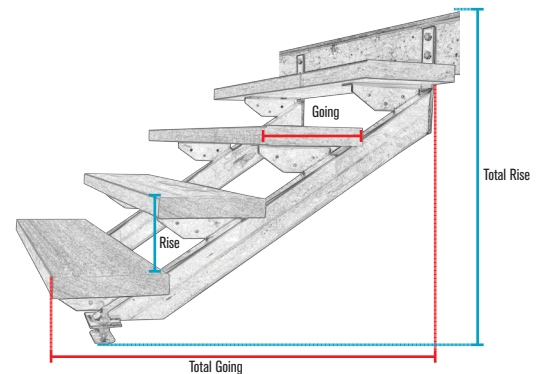
Rise: **175mm** Going: **250mm**

Treads	Total Rise	Total Going	Concrete In Code	Bolt Down Code
1	350mm	250mm	1T-SSCI	1T-SSBD
2	525mm	500mm	2T-SSCI	2T-SSBD
3	700mm	750mm	3T-SSCI	3T-SSBD
4	875mm	1000mm	4T-SSCI	4T-SSBD
5	1050mm	1250mm	5T-SSCI	5T-SSBD
6	1225mm	1500mm	6T-SSCI	6T-SSBD
7	1400mm	1750mm	7T-SSCI	7T-SSBD
8	1575mm	2000mm	8T-SSCI	8T-SSBD
9	1750mm	2250mm	9T-SSCI	9T-SSBD
10	1925mm	2500mm	10T-SSCI	10T-SSBD
11	2100mm	2750mm	11T-SSCI	11T-SSBD
12	2275mm	3000mm	12T-SSCI	12T-SSBD
13	2450mm	3250mm	13T-SSCI	13T-SSBD
14	2625mm	3500mm	14T-SSCI	14T-SSBD
15	2800mm	3750mm	15T-SSCI	15T-SSBD
16	2975mm	4000mm	16T-SSCI	16T-SSBD
17	3150mm	4250mm	17T-SSCI	17T-SSBD

Non-standard rises made to order



4T-SSBD installed with Merbau Treads.



Australian Innovation Patent # **2016101221**



Stair Stringer **Cast In** Baseplate



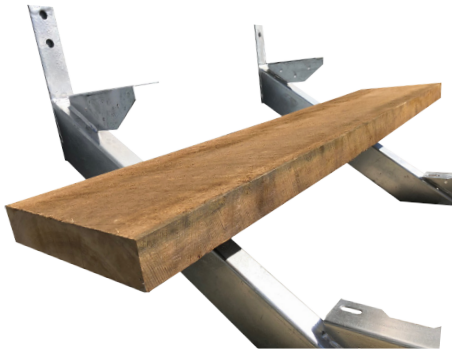
Stair Stringer **Bolt Down** Baseplate



Landing to Landing Adaptor

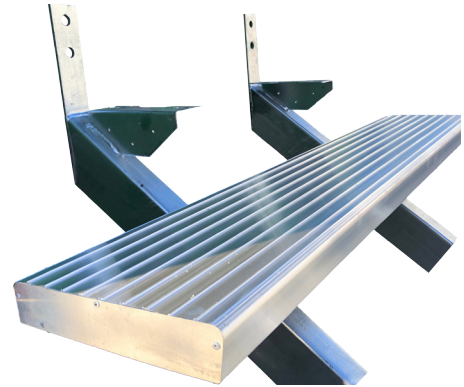
1300 538 356

Stair Stringer Accessories



Timber Hardwood Tread

250mm W x 50mm T x 1200mm L
Rough Sawn Hardwood *Dressing required*
Code: **TT-HWD-1200**



Aluminium Tread Kit

250mm W x 50mm T x 1200mm L
Endplates, rivets and bolts supplied loose
Code: **TT-Alum-1200-Kit**



Merbau Tread

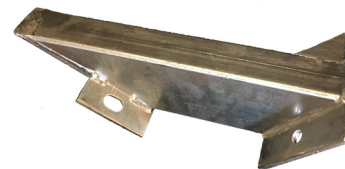
250mm W x 45mm T x 1200mm L
Dressed with non-slip nosing
Code: **TT-KWA-1200**

All treads available in any length upon request (lead times apply)



Step Tread Bracket

Zinc Plated
200mm x 60mm x H 70mm
Weld or ScREW on
Code: **STBK-ZN**

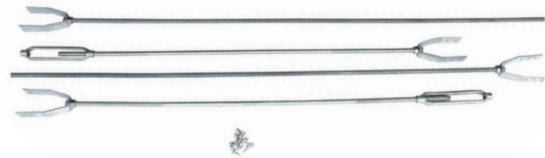
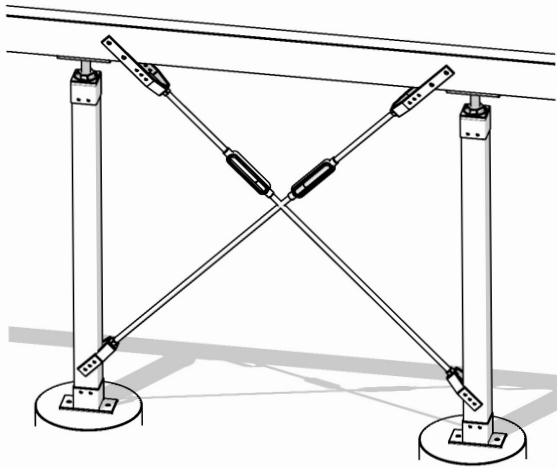


Landing to Landing Adaptor

Suits LevelMaster Stringers 2T-10T
Calculate your height from the landing to top of the deck, see table on Page 7. Simply bolts to any existing LevelMaster Stringer
Code: **L-L**
Patented

1300 538 356

Miscellaneous



Bracing Set (Full Cross Brace) Galvanized

End Brackets suit 75mm, 90 and 100 mm posts.
Set comprises 16mm Threaded Rods, Turn Buckle, End Brackets
Max 3 metre span per diagonal.
Extendable to any length; Additional M16 Threaded rod and coupler joiners sold separately.
Bracing Set Code: **BR-75-90-Set**
Extender Kit Codes: **TR-M16, CP16**



Tek Screw Driver

To suit 3/8
Code: **TK-Driver**



Coach Screws

M8 x 40mm // Code: **CS-M8-40**
M10 x 75mm // Code: **CS-M10-75**
M12 x 75mm // Code: **CS-M12-75**
M12 x 100mm // Code: **CS-M12-100**



Tek Screws

Metal
Code: **TK-14-SDS** 14mm x 22mm
Timber
Code: **TK-17-40** 17mm x 40mm
Code: **TK-17-50** 17mm x 50mm



Anchor Bolt

Chemset M12 x 160mm
Code: **CA-M12-160**



Cup Head Coach Bolt

M10 x 65mm // Code: **CB-M10-65**
M10 x 75mm // Code: **CB-M10-75**
M12 x 75mm // Code: **CB-M12-75**
M12 x 100mm // Code: **CB-M12-100**
M12 x 130mm // Code: **CB-M12-130**



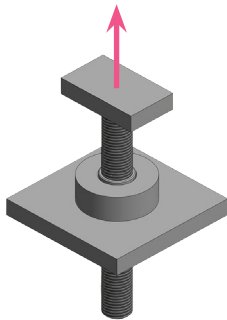
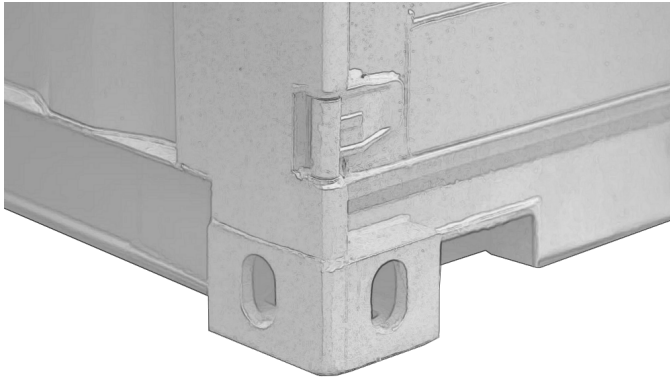
Dog Clamp Kit

Clamp: 100mm x 75mm
Bolt: M16 x 60mm // M12 x 50mm
Code: **D-CLAMP**
Used with ES Top

1300 538 356

Specialised Applications

Australian Innovation Patent # 2018903992



Container Lock

Adjustable Top For Shipping Containers
Fits into Transport Lock
Secure and Fully engineered
Easy to Install
Use with 75, 90 and 100mm posts
Hot Dipped Galvanised for long life
Exclusive to LevelMaster

Code: **CL**



Retro Fit Joiner

Suits 75mm / 90mm /
100mm / 125mm
Concrete, Timber, and Steel
Posts.
Uses 90mm Connector &
Your Choice of Top

Code: **RJ-90**



Stump Top of
your choice
VL Pictured

SO-90 or
WO-90
SO-90 Pictured

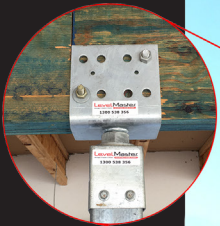
Retro-Fit Joiner
Suits Concrete,
Timber and Steel

Fixing
Screwed or bolted
to existing post.



ADJUSTABLE HOUSE STUMPS

Stronger. Easier. Faster. **LevelMaster.**



levelmaster.com.au

1300 538 356

sales@levelmaster.com.au

BRISBANE 07 3390 4656

260 New Cleveland Road via Ingleston Road
Tingalpa QLD 4173

tingalpa@levelmaster.com.au

TOOWOOMBA 07 4633 3623

549 Boundary Street
Toowoomba QLD 4350

toowoomba@levelmaster.com.au

